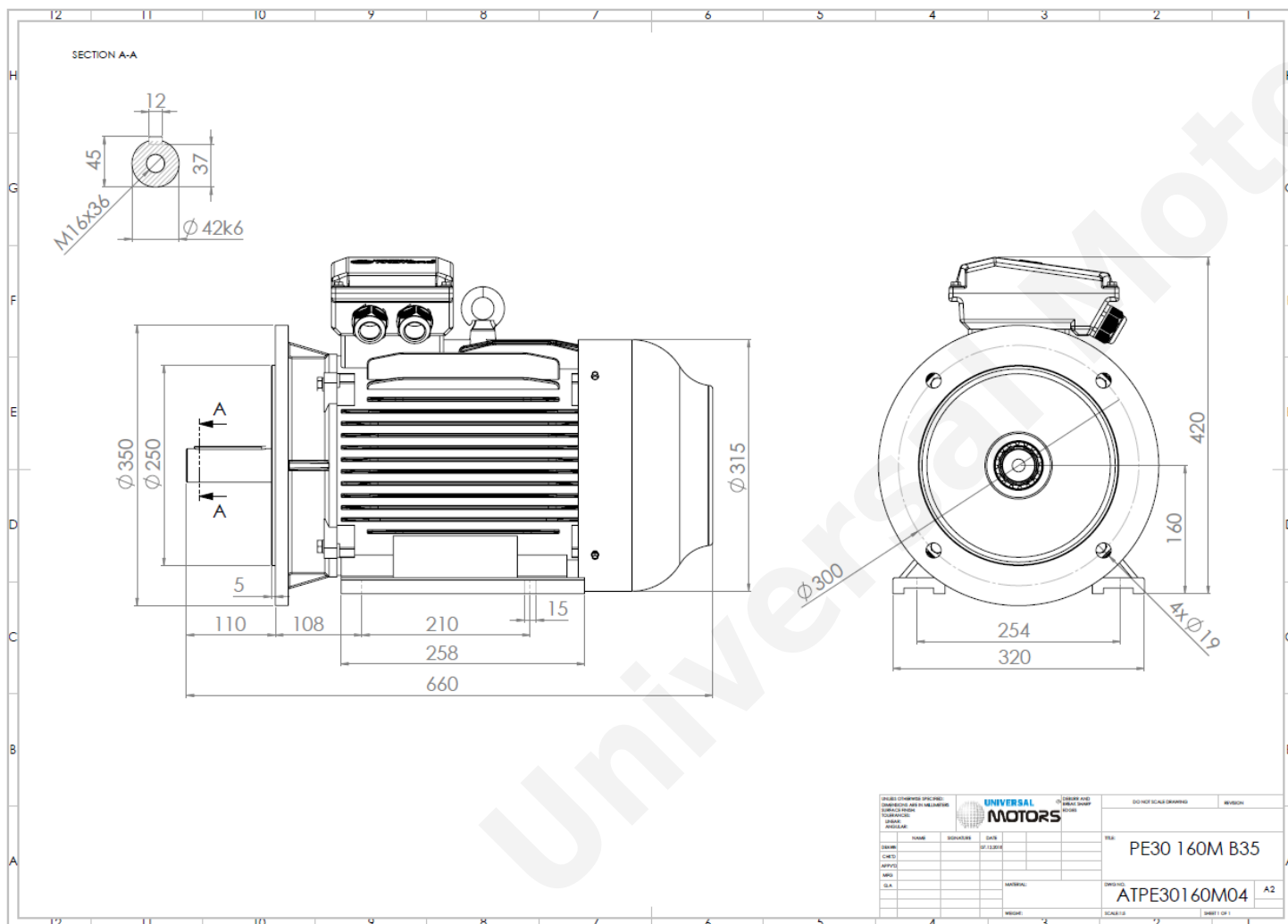




TECHNICAL DATA

Three Phase Electric Motors - Cast Iron Frame
 PE30 160 M 6 IE3
 7.5 kW / 10 Cv
 980 RPM



Motor type:	PE30 160 M 6 IE3
Output:	7.5 kW / 10 Cv
Speed (min ⁻¹):	980 RPM
Frequency:	50 Hz
Voltage:	400 V
Current:	15.4 A
Power factor (Cos Ø):	0.79
Poles:	6
Insulation class:	F
Temperature rise Class:	B
Efficiency 50%:	88.4 %
Efficiency 75%:	89.6 %
Efficiency 100%:	89.2 %
Torque:	73 N.m
Tstarting/Tnominal:	2.0
Istarting/Inominal:	7.0
Tmaximum/Tnominal:	2.1
Noise:	62 Db(A)
Weight:	124 Kg
Bearing DE:	6309 C3
Bearing NDE:	6309 C3

UNIVERSAL MOTORS		UNIVERSAL MOTORS		DO NOT SCALE DRAWING	REVISION
DESIGNER	DATE	APPROVED	DATE	TITLE: PE30 160M B35	
MATERIAL: ATPE30160M04			SHEET 1 OF 1		

Regime - S1

Altitude - 1000m

Environment Temperature - 40°C

CONTACTS:

UNIVERSAL MOTORS Tel: +351 252 299 080
 Rua de São Brás,745 Fax: +351 252 299 089
 4480-782 VILA DO CONDE Mail: geral@universalmotors.pt

* References applied only in the UK